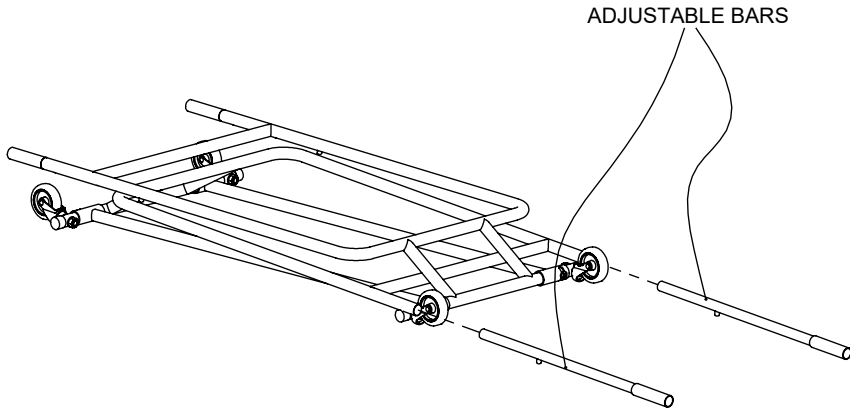
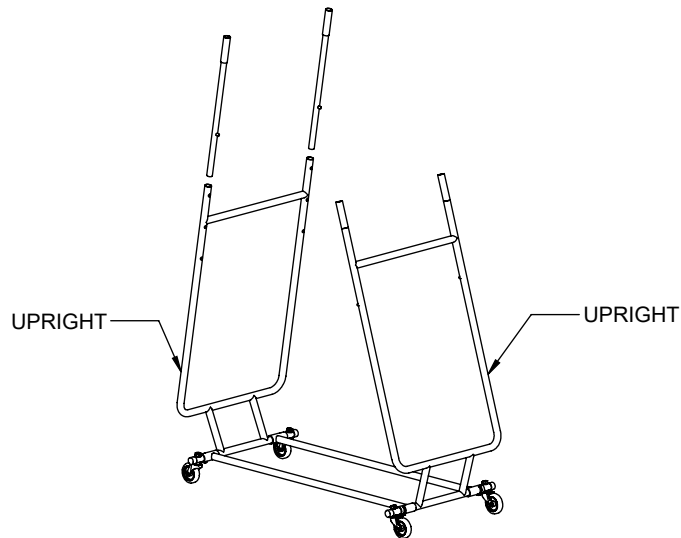


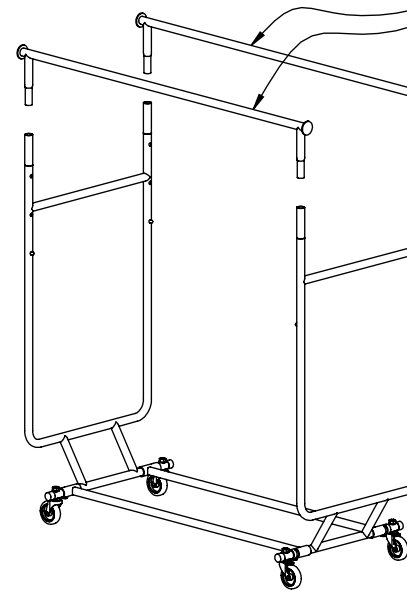
- 1** SLIDE OUT ADJUSTABLE BARS FROM THE BOTTOM ONLY.  
DEPRESS SNAP BUTTONS ON ADJUSTABLE BARS TO SLIDE OUT.



- 2** UNFOLD THE UPRIGHTS.  
RE-INSERT THE ADJUSTABLE BARS INTO THE UPRIGHTS.



- 3** HANGBARS



SLIDE THE HANGBARS INTO THE  
ADJUSTABLE BARS.

**UPRIGHTS CAN FALL WHILE  
INSTALLING HANGBARS. 2 PEOPLE  
ARE RECOMMENDED FOR THIS  
STEP**

- 4**

