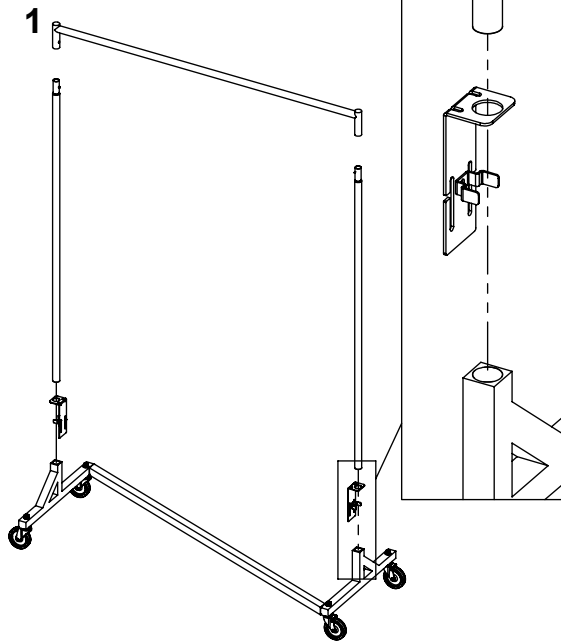


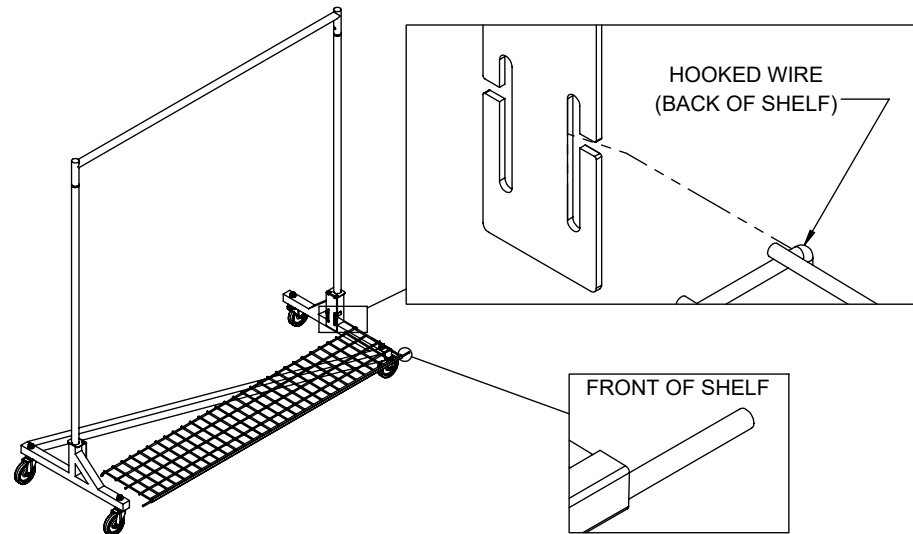
**ASSEMBLY
INSTRUCTIONS FOR:
RZK8SLF**



INSERT UPRIGHTS INTO HOLE ON THE BRACKETS AND THEN INTO THE HOLES IN THE BASE.

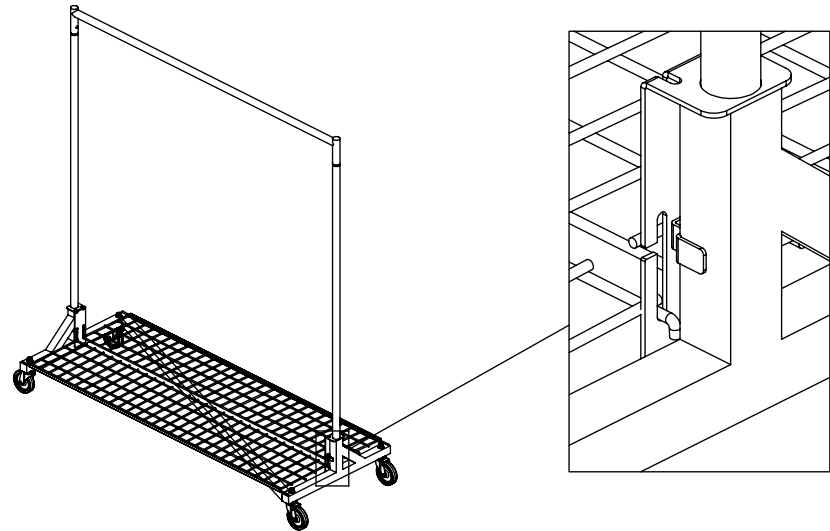
2

SLIDE HOOKED WIRE ON BACK OF SHELF INTO OPENING IN THE METAL BRACKET AND DROP DOWN INTO SLOT.



3

REPEAT PREVIOUS STEP WITH REMAINING SHELF ON THE OTHER SIDE.



4

TO PUT SHELF IN UPRIGHT POSITION ROTATE THE SHELF UPWARD SO THAT THE MIDDLE WIRE SITS IN GROOVE.

